

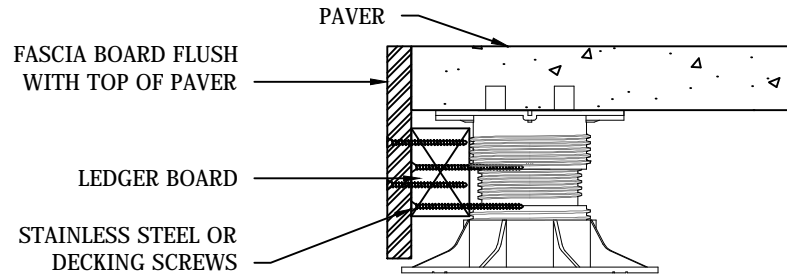


# LEVEL IT

## ADJUSTABLE DECK SUPPORTS

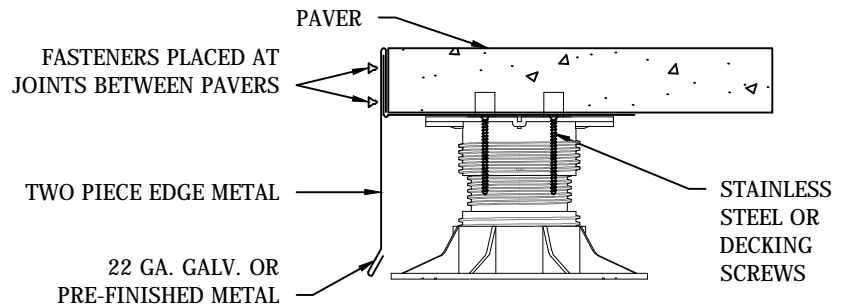
BISON DECK SUPPORTS  
 1975 W. 13TH AVE.  
 DENVER, COLORADO 80204  
 TOLL FREE: 1-800-333-4234  
 PHONE: (303) 892-0400  
 FAX: (303) 825-5988  
 Sales@BisonDeckSupports.com  
 www.BisonDeckSupports.com

**NOTES:**  
 BOTTOM OF FASCIA BOARD  
 MAY BE CUT ABOVE  
 SUBSTRATE TO ALLOW  
 WATER TO ESCAPE. FASCIA  
 BOARD MUST FULLY  
 CONTAIN PAVERS, AND  
 MUST TIE BACK INTO A  
 BUILDING WALL OR  
 PARAPET.



### WOOD FASCIA CONTAINMENT

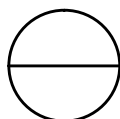
**NOTES:**  
 BOTTOM OF METAL  
 CONTAINMENT MAY BE  
 BENT OR CUT ABOVE  
 SUBSTRATE TO ALLOW  
 WATER TO ESCAPE. METAL  
 CONTAINMENT MUST FULLY  
 CONTAIN PAVERS, AND  
 MUST TIE BACK IN TO A  
 BUILDING WALL OR  
 PARAPET.



### METAL FLASHING CONTAINMENT

**NOTES:**

1. INSTALLATION TO BE COMPLETED IN ACCORDANCE WITH MANUFACTURER'S SPECIFICATIONS.
2. DRAWINGS NOT TO SCALE.
3. CONTRACTOR'S NOTE: FOR PRODUCT AND COMPANY INFORMATION VISIT [www.BisonDeckSupports.com](http://www.BisonDeckSupports.com) REFERENCE L-071.



## EDGE RESTRAINT OPTIONS

WOOD OR METAL PERIMETER CONTAINMENT