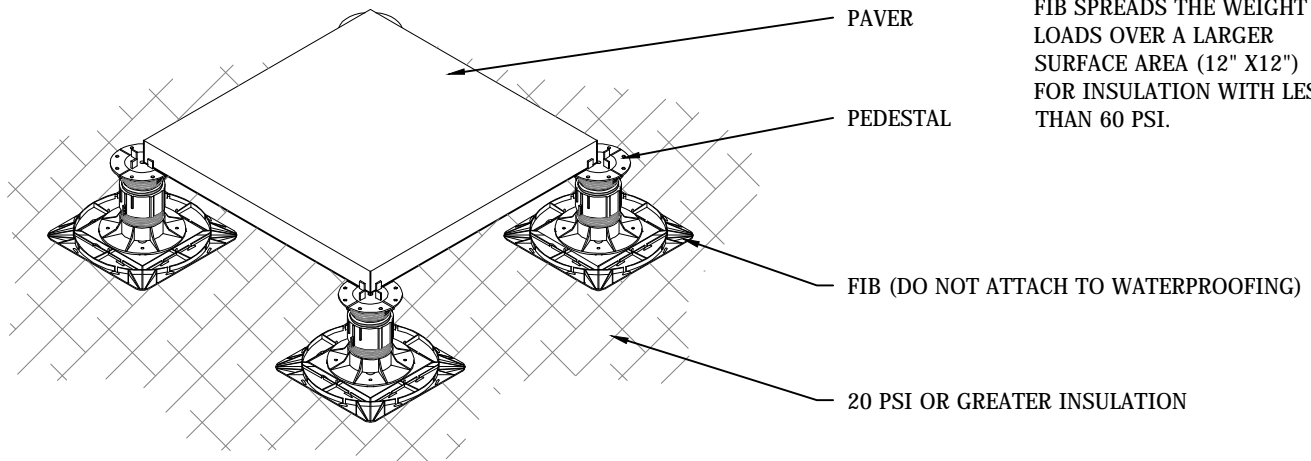


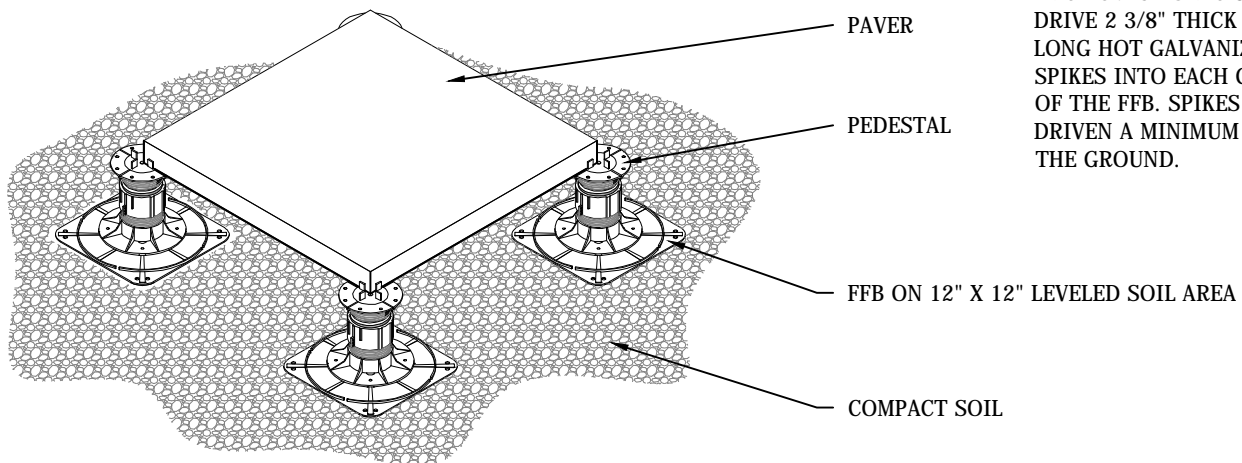


BISON DECK SUPPORTS
 1975 W. 13TH AVE.
 DENVER, COLORADO 80204
 TOLL FREE: 1-800-333-4234
 PHONE: (303) 892-0400
 FAX: (303) 825-5988
 Sales@BisonDeckSupports.com
 www.BisonDeckSupports.com



NOTES:
 FIB SPREADS THE WEIGHT
 LOADS OVER A LARGER
 SURFACE AREA (12" X 12")
 FOR INSULATION WITH LESS
 THAN 60 PSI.

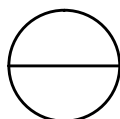
PEDESTALS ON FIBs



NOTES:
 IN SEISMIC ZONES 3 & 4,
 DRIVE 2 3/8" THICK X 8"
 LONG HOT GALVANIZED
 SPIKES INTO EACH CORNER
 OF THE FFB. SPIKES MUST BE
 DRIVEN A MINIMUM 7" INTO
 THE GROUND.

PEDESTALS ON FFBs

- NOTES:
1. INSTALLATION TO BE COMPLETED IN ACCORDANCE WITH MANUFACTURER'S SPECIFICATIONS.
 2. DRAWINGS NOT TO SCALE.
 3. CONTRACTOR'S NOTE: FOR PRODUCT AND COMPANY INFORMATION VISIT www.BisonDeckSupports.com REFERENCE L-050.



FFB AND FIB INSTALLATION

FLOATING PEDESTAL BASES