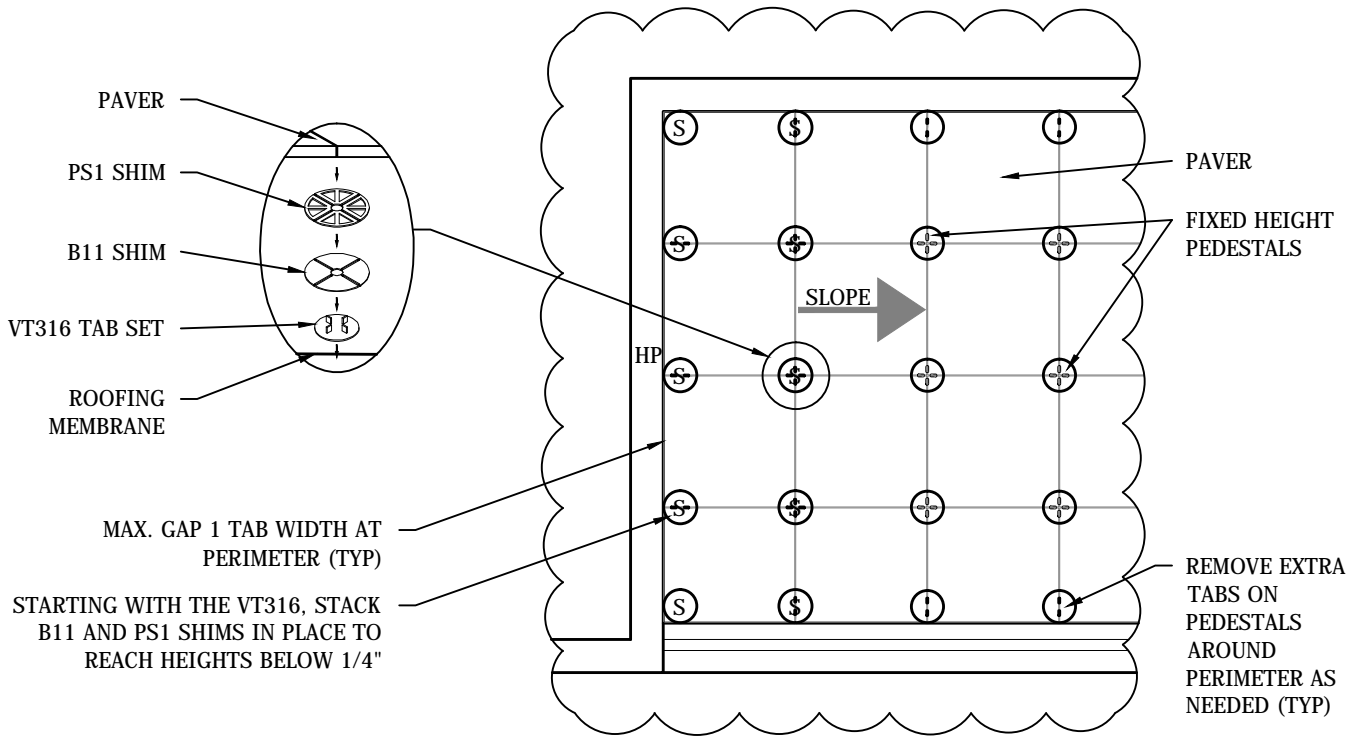




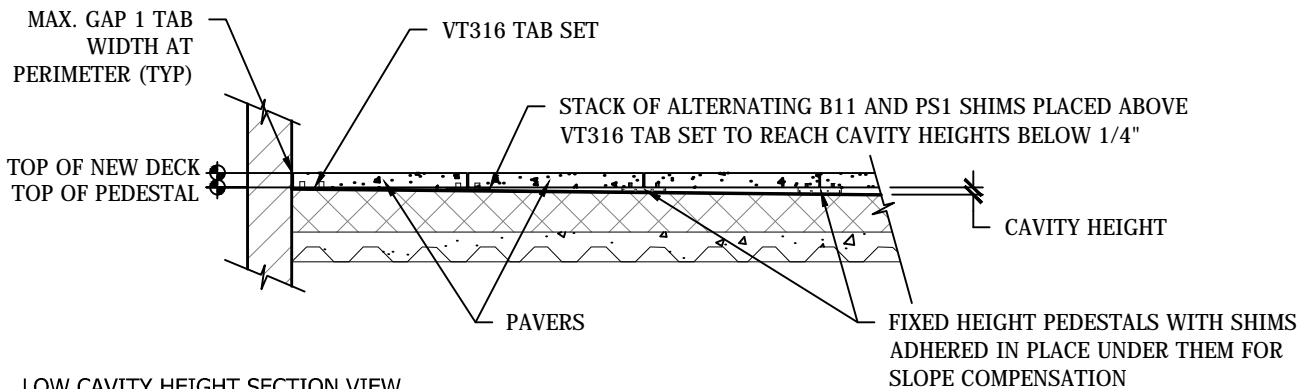
# LEVEL.IT

ADJUSTABLE DECK SUPPORTS

BISON DECK SUPPORTS  
 1975 W. 13TH AVE.  
 DENVER, COLORADO 80204  
 TOLL FREE: 1-800-333-4234  
 PHONE: (303) 892-0400  
 FAX: (303) 825-5988  
 Sales@BisonDeckSupports.com  
 www.BisonDeckSupports.com



LOW CAVITY HEIGHT ENLARGE VIEW



LOW CAVITY HEIGHT SECTION VIEW

**NOTES:**

1. INSTALLATION TO BE COMPLETED IN ACCORDANCE WITH MANUFACTURER'S SPECIFICATIONS.
2. DRAWINGS NOT TO SCALE.
3. CONTRACTOR'S NOTE: FOR PRODUCT AND COMPANY INFORMATION VISIT [www.BisonDeckSupports.com](http://www.BisonDeckSupports.com) REFERENCE L-047.

**1F** LOW CAVITY HEIGHT PLACEMENT

---

CAVITY HEIGHTS BELOW 1/4"