



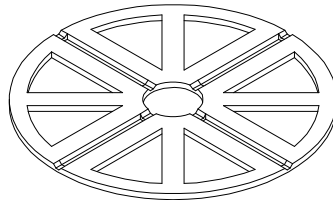
LEVEL.IT

ADJUSTABLE DECK SUPPORTS

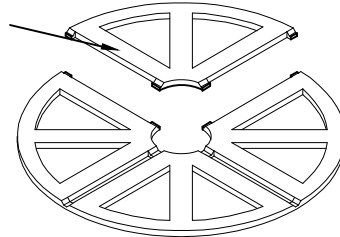
BISON DECK SUPPORTS
1975 W. 13TH AVE.
DENVER, COLORADO 80204
TOLL FREE: 1-800-333-4234
PHONE: (303) 892-0400
FAX: (303) 825-5988
Sales@BisonDeckSupports.com
www.BisonDeckSupports.com

NOTES:

A PS1 MAY BE PLACED ON TOP OF EACH PEDESTAL. PS1s MAY BE USED WHOLE OR BROKEN INTO SEGMENTS FOR SHIMMING.



MAY BE
BROKEN
INTO
SEGMENTS

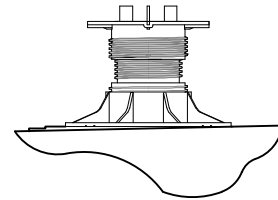
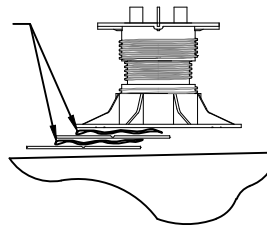


PS1 DETAIL

NOTES:

PLACE PS1s, WHOLE OR IN SEGMENTS, UNDER EACH PEDESTAL IN A STAIR STEP FASHION TO COMPENSATE FOR SLOPING SUBSTRATES. USE NO MORE THAN 2 SHIMS, AND ADHERE THEM TO EACH OTHER WITH CONSTRUCTION ADHESIVE.

ADHERE
SHIMS IN
PLACE WITH
CONSTRUCTION
ADHESIVE

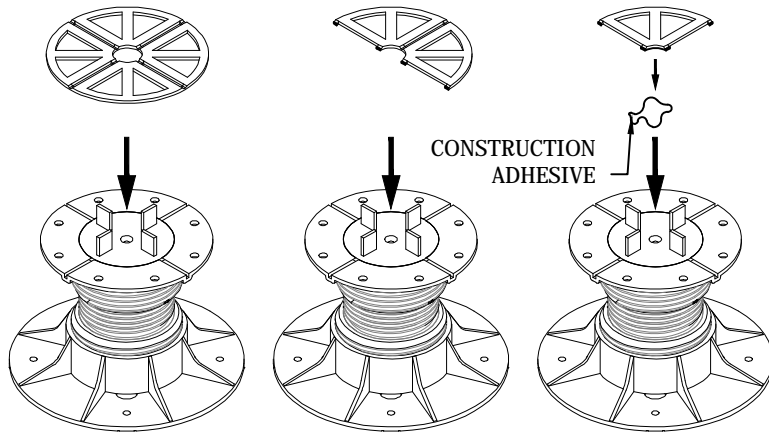


PS1s UNDER LEVEL.IT

NOTE: DO NOT ADHERE TO SUBSTRATE WITH CONSTRUCTION ADHESIVE UNLESS SPECIFIED.

NOTES:

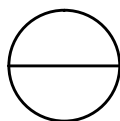
PS1s MAY BE PLACED ON TOP OF PEDESTALS FOR MINOR LEVELING OF PAVERS WITH THICKNESS VARIATIONS. USE NO MORE THAN 2 SHIMS. IF USING ONLY 1/4 SEGMENT, ADHERE IT TO THE PEDESTAL WITH CONSTRUCTION ADHESIVE.



PS1s OVER LEVEL.IT

NOTES:

1. INSTALLATION TO BE COMPLETED IN ACCORDANCE WITH MANUFACTURER'S SPECIFICATIONS.
2. DRAWINGS NOT TO SCALE.
3. CONTRACTOR'S NOTE: FOR PRODUCT AND COMPANY INFORMATION VISIT www.BisonDeckSupports.com REFERENCE L-022.



PS1 SHIM PLACEMENTS

1/8" RIGID SHIM