



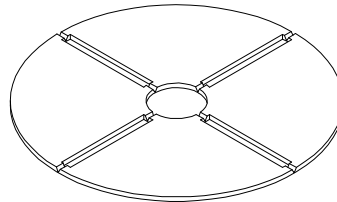
# LEVEL.IT

ADJUSTABLE DECK SUPPORTS

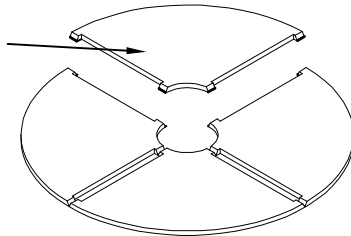
BISON DECK SUPPORTS  
1975 W. 13TH AVE.  
DENVER, COLORADO 80204  
TOLL FREE: 1-800-333-4234  
PHONE: (303) 892-0400  
FAX: (303) 825-5988  
Sales@BisonDeckSupports.com  
www.BisonDeckSupports.com

**NOTES:**

A B11 MAY BE PLACED ON TOP OF EACH PEDESTAL IN ORDER TO DAMPEN THE SOUND OF FOOT TRAFFIC. B11s MAY BE USED WHOLE OR BROKEN INTO SEGMENTS FOR SHIMMING.



MAY BE BROKEN INTO SEGMENTS

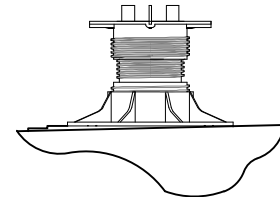
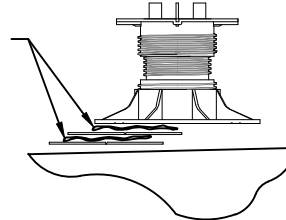


### B11 DETAIL

**NOTES:**

PLACE B11s, WHOLE OR IN SEGMENTS, UNDER EACH PEDESTAL IN A STAIR STEP FASHION TO COMPENSATE FOR SLOPING SUBSTRATES. USE NO MORE THAN 2 SHIMS, AND ADHERE THEM TO EACH OTHER WITH CONSTRUCTION ADHESIVE.

ADHERE SHIMS IN PLACE WITH CONSTRUCTION ADHESIVE

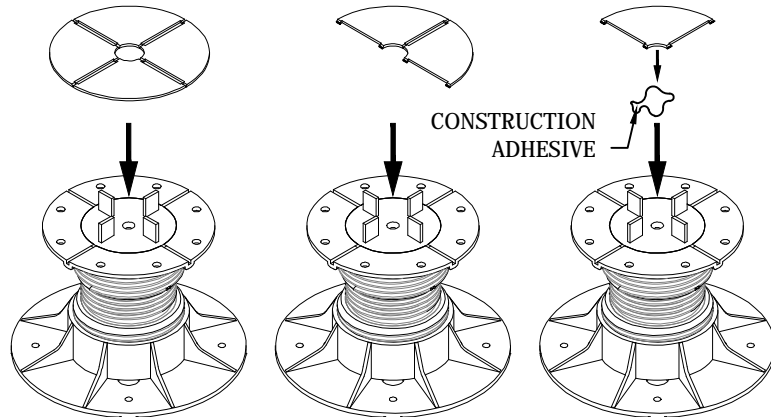


### B11s UNDER LEVEL.IT

NOTE: DO NOT ADHERE TO SUBSTRATE WITH CONSTRUCTION ADHESIVE UNLESS SPECIFIED.

**NOTES:**

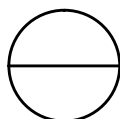
B11s MAY BE PLACED ON TOP OF PEDESTALS FOR MINOR LEVELING OF PAVERS WITH THICKNESS VARIATIONS. USE NO MORE THAN 2 SHIMS. IF USING ONLY 1/4 SEGMENT, ADHERE IT TO THE PEDESTAL WITH CONSTRUCTION ADHESIVE.



### B11s OVER LEVEL.IT

**NOTES:**

1. INSTALLATION TO BE COMPLETED IN ACCORDANCE WITH MANUFACTURER'S SPECIFICATIONS.
2. DRAWINGS NOT TO SCALE.
3. CONTRACTOR'S NOTE: FOR PRODUCT AND COMPANY INFORMATION VISIT [www.BisonDeckSupports.com](http://www.BisonDeckSupports.com) REFERENCE L-021.



## B11 SHIM PLACEMENTS

1/16" FLEXIBLE SHIM (SOUND DAMPENING)